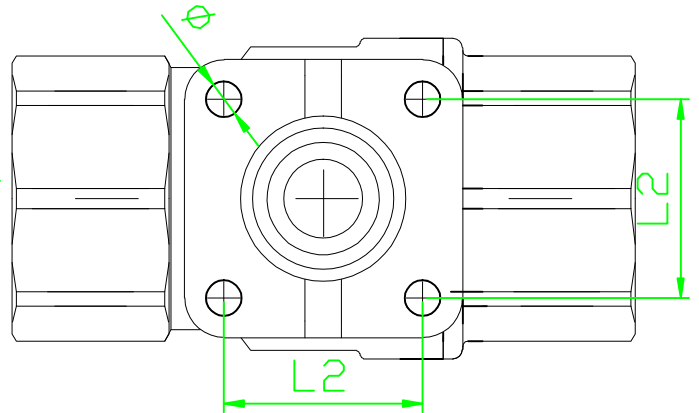
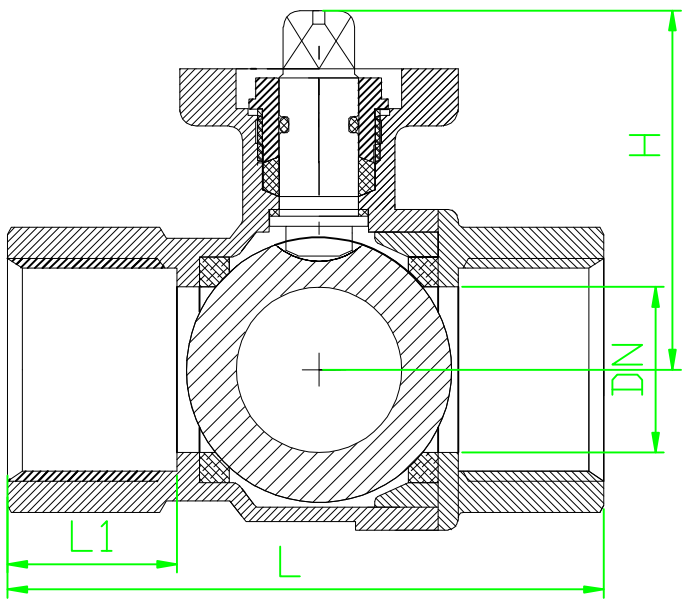


10		1	
9	<b>Stem</b>	1	<b>Brass</b>
8	<b>Washer</b>	1	<b>Brass</b>
7	<b>O- Ring</b>	1	<b>EPDM</b>
6	<b>Packing ring</b>	1	<b>EPDM</b>
5	<b>O- Ring</b>	1	<b>PTFE</b>
4	<b>Seat Ring</b>	2	<b>PTFE</b>
3	<b>Ball</b>	1	<b>Brass</b>
2	<b>Bonnet</b>	1	<b>Brass</b>
1	<b>Body</b>	1	<b>Brass</b>
序号	名称	数量	材料



	L	L1	L2	H	DN	φ
1/2	75	16.5	25.4	46.6	15	5.5
3/4	80	24.5	25.4	49	20	5.5
1	90	25.6	30	54.2	25	5.5
1 1/4	112	30.4	35	67	32	6.7
1 1/2	127	32.5	35	73.1	40	6.7
2	142.6	36.1	35	86.9	50	6.7
2 1/2	161	33.1	50	96.4	63	9
3	184.5	36.1	50	110.9	78	9
4						